

CD400M Dri-Prime® Pump

The Godwin Dri-Prime CD400M pump offers flow rates to 9770 USGPM and has the capability of handling solids up to 4.9" in diameter.

The CD400M is able to automatically prime to 28' of suction lift from dry. Automatic or manual starting/stopping available through integral mounted control panel or optional wireless-remote access.

Indefinite dry-running is no problem due to the unique Godwin liquid bath mechanical seal design. Solids handling, dry-running, and portability make the CD400M the perfect choice for dewatering and bypass applications.



Features and Benefits

- Simple maintenance normally limited to checking fluid levels and filters.
- Dri-Prime (continuously operated Venturi air ejector priming device) requiring no periodic adjustment. Optional compressor clutch available.
- Extensive application flexibility handling sewage, slurries, and liquids with solids up to 4.9" in diameter.
- Dry-running high pressure liquid bath mechanical seal with high abrasion resistant solid silicon carbide faces.
- Pedestal-mounted centrifugal pump with Dri-Prime system coupled to a diesel engine or electric motor.
- All cast iron construction (stainless steel construction option available) with cast steel impeller.
- Also available in a critically silenced unit which reduces noise levels to less than 70 dBA at 30'.
- Standard engine Caterpillar C9 (T3 Flex). Also available with John Deere 6090HFC94 (IT4).

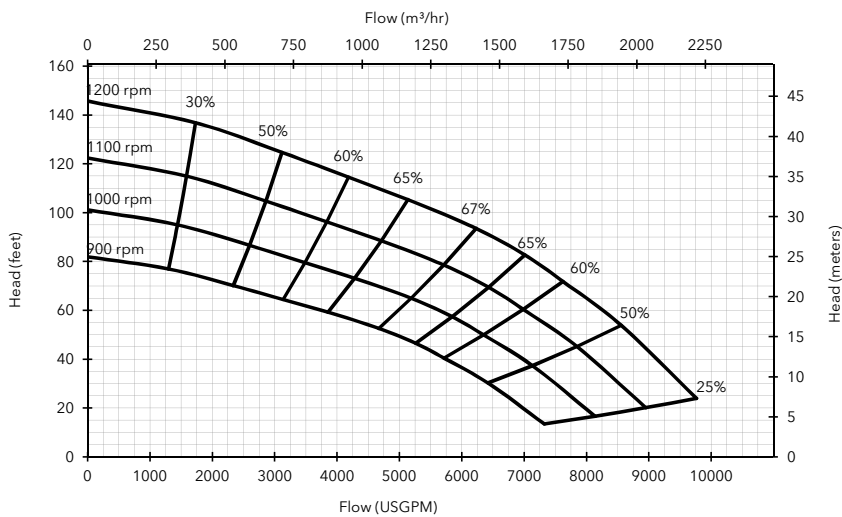
Specifications

Suction connection	18" 125# ANSI B16.1
Delivery connection	18" 150# ANSI B16.5
Max capacity	9770 USGPM †
Max solids handling	4.9"
Max impeller diameter	19.7"
Max operating temp	176°F*
Max pressure	64 psi
Max suction pressure	44 psi
Max casing pressure	96 psi
Max operating speed	1200 rpm

* Please contact our office for applications in excess of 176°F.

† Larger diameter pipes may be required for maximum flows.

Performance Curve



Engine option 1

Caterpillar C9 (T3 Flex), 300 HP @ 1800 rpm

Impeller diameter 19.7"

Pump speed 1200 rpm driven by 1.5:1 gearbox

Suction Lift Table

Total Suction Head (feet)	Total Delivery Head (feet)				
	14	52	75	89	104
	Output (USGPM)				
10	9764	8189	6868	5548	4227
15	9299	7872	6076	4755	3434
20	8718	7133	5812	3963	2906
25	5019	4491	3963	3434	-

Fuel capacity: 10 US Gal

Max Fuel consumption @ 1800 rpm: 15.1 US Gal/hr

Max Fuel consumption @ 1600 rpm: 14.3 US Gal/hr

Weight (Dry): 15,510 lbs

Weight (Wet): 15,580 lbs

Dim.: (L) 183" x (W) 86" x (H) 100"

Performance data provided in tables is based on water tests at sea level and 20°C ambient. All information is approximate and for general guidance only. Please contact the factory or office for further details.

Materials

Pump casing & suction cover	Cast iron BS EN 1561 - 1997
Wearplates	Cast iron BS EN 1561 - 1997
Pump Shaft	Carbon steel BS 970 - 1991 817M40T
Impeller	Cast Steel BS3100 A5 Hardness to 200 HB Brinell
Non-return valve body	Cast iron BS EN 1561 - 1997
Mechanical seal	Double Mech seal; Silicon carbide face; Viton elastomers; Stainless steel body

Engine option 2

John Deere 6090HFC94 (IT4), 302 HP @ 1800 rpm

Impeller diameter 19.7"

Pump speed 1200 rpm driven by 1.5:1 gearbox

Suction Lift Table

Total Suction Head (feet)	Total Delivery Head (feet)				
	14	52	75	89	104
	Output (USGPM)				
10	9764	8189	6868	5548	4227
15	9299	7872	6076	4755	3434
20	8718	7133	5812	3963	2906
25	5019	4491	3963	3434	-

Fuel capacity: 10 US Gal

Max Fuel consumption @ 1800 rpm: 14.7 US Gal/hr

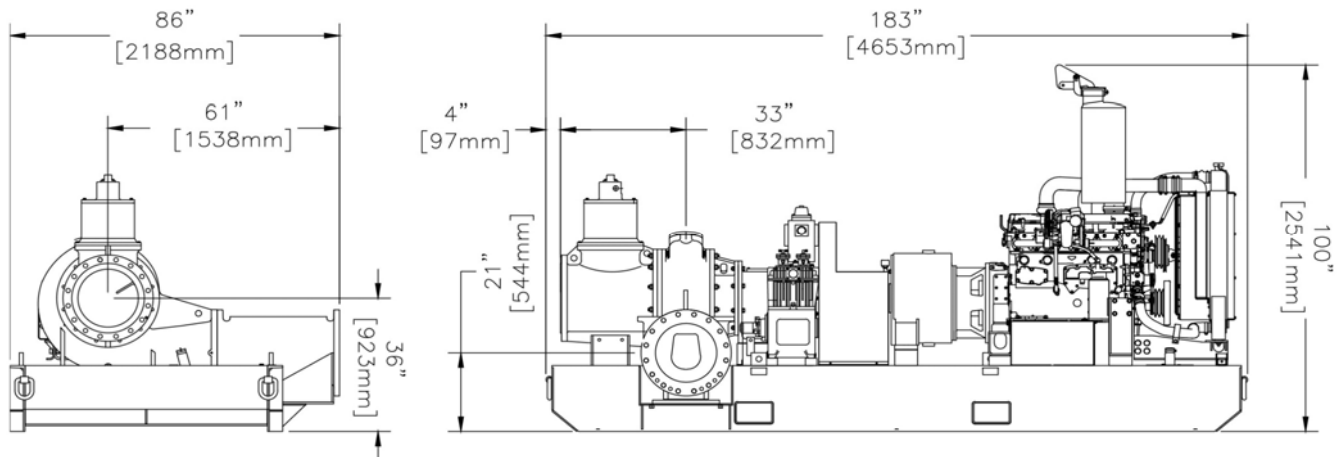
Max Fuel consumption @ 1600 rpm: 14.3 US Gal/hr

Weight (Dry): 16,100 lbs

Weight (Wet): 16,170 lbs

Dim.: (L) 183" x (W) 86" x (H) 100"

Performance data provided in tables is based on water tests at sea level and 20°C ambient. All information is approximate and for general guidance only. Please contact the factory or office for further details.



84 Floodgate Road
Bridgeport, NJ 08014 USA
(856) 467-3636 . Fax (856) 467-4841
Email: sales@godwinpumps.com

Reference number : 95-1019-3000
Date of issue : February 26, 2014
Issue : 5

www.godwinpumps.com