

HL225M Dri-Prime® Pump

The Godwin Dri-Prime HL225M pump offers flow rates to 3660 USGPM and has the capability of discharge pressures to 164 psi.

The HL225M is able to automatically prime to 28' of suction lift from dry. Automatic or manual starting/stopping available through integral mounted control panel or optional wireless-remote access.

High discharge pressure, dry-running, and portability make the HL225M the perfect choice for mining, industrial and emergency fire backup applications.



Features and Benefits

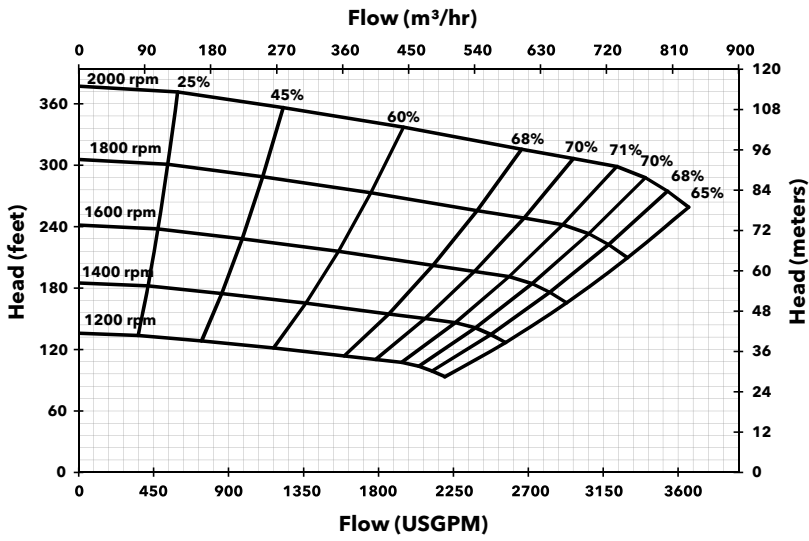
- Simple maintenance normally limited to checking fluid levels and filters.
- Dri-Prime (continuously operated Venturi air ejector priming device) requiring no periodic adjustment or control. Optional automatic on-off control available on the priming system.
- Dry-running high pressure liquid bath mechanical seal with high abrasion resistant solid silicon carbide faces.
- Close-coupled centrifugal pump with Dri-Prime system coupled to a diesel engine or electric motor.
- All cast iron construction (stainless steel construction option available) with cast steel impeller.
- Also available in a critically silenced unit which reduces noise levels to less than 70dBA at 30'.
- Standard engine Caterpillar C9 (T3 Flex). Also available with John Deere 6090HFC94 (IT4).

Specifications

Suction connection	10" 150# ANSI B16.5
Delivery connection	8" 150# ANSI B16.5
Max capacity	3660 USGPM †
Max solids handling	2.6"
Max Impeller diameter	17.3"
Max operating temp	176°F*
Max working pressure	164 psi
Max suction pressure	87 psi
Max casing pressure	246 psi
Max operating speed	2000 rpm

* Please contact our office for applications in excess of 176°F.

† Larger diameter pipes may be required for maximum flows.



306

2691

2495

2348

1712

Max Fuel consumption @ 1800 rpm: 15.1 US Gal/hr

Weight (Dry): 8,810 lbs

Weight (Wet): 10,250 lbs

Dimensions: (L) 152" x (W) 62" x (H) 97"

Performance data provided in tables is based on water tests at sea level and 20°C ambient. All information is approximate and for general guidance only. Please contact the factory or office for further details.

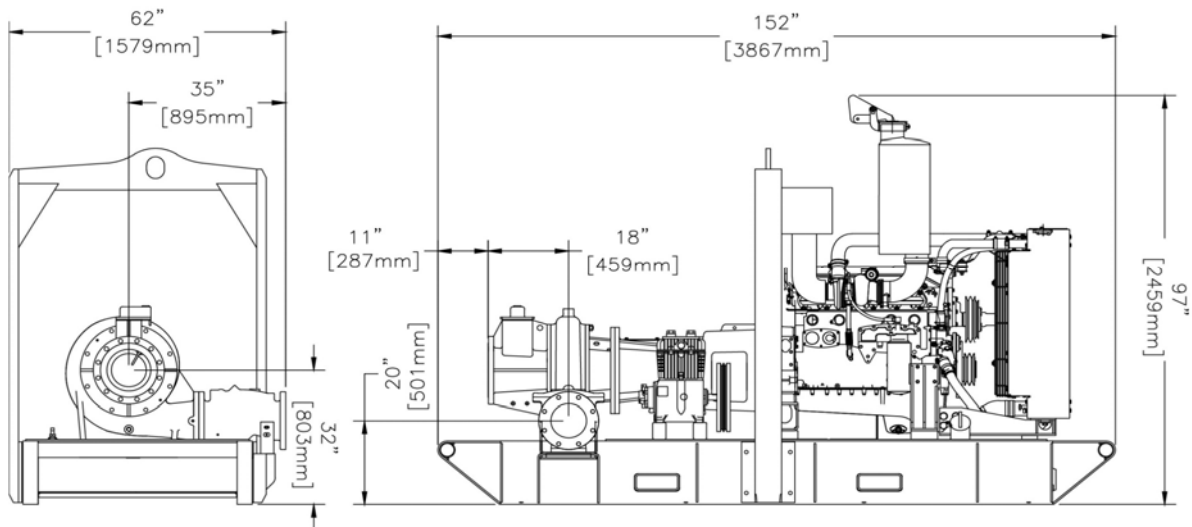
Max Fuel consumption @ 1800 rpm: 14.7 US Gal/hr

Weight (Dry): 9,390 lbs

Weight (Wet): 10,830 lbs

Dimensions: (L) 152" x (W) 62" x (H) 97"

Performance data provided in tables is based on water tests at sea level and 20°C ambient. All information is approximate and for general guidance only. Please contact the factory or office for further details.



84 Floodgate Road
 Bridgeport, NJ 08014 USA
 (856) 467-3636 . Fax (856) 467-4841
 Email: sales@godwinpumps.com

Reference number : 95-1113-3000
 Date of issue : February 26, 2014
 Issue : 3

www.godwinpumps.com