

HL80M Dri-Prime® Pump

The Godwin Dri-Prime HL80M pump offers flow rates to 460 USGPM and has the capability of discharge pressures to 142 psi.

The HL80M is able to automatically prime to 28' of suction lift from dry. Automatic or manual starting/stopping available through integral mounted control panel or optional wireless-remote access.

High discharge pressure, dry-running, and portability make the HL80M the perfect choice for mining, industrial and emergency fire backup applications.



Features and Benefits

- Simple maintenance normally limited to checking fluid levels and filters.
- Dri-Prime (continuously operated Venturi air ejector priming device) requiring no periodic adjustment or control. Optional automatic on-off control available on the priming system.
- Dry-running high pressure liquid bath mechanical seal with high abrasion resistant solid silicon carbide faces.
- Close-coupled centrifugal pump with Dri-Prime system coupled to a diesel engine or electric motor.
- All cast iron construction (stainless steel construction option available) with cast steel impeller.
- Also available in a critically silenced unit which reduces noise levels to less than 70dBA at 30'.
- Standard engine John Deere 4045TF290 (IT4 Flex). Also available with Caterpillar C4.4M-T (Export Only).

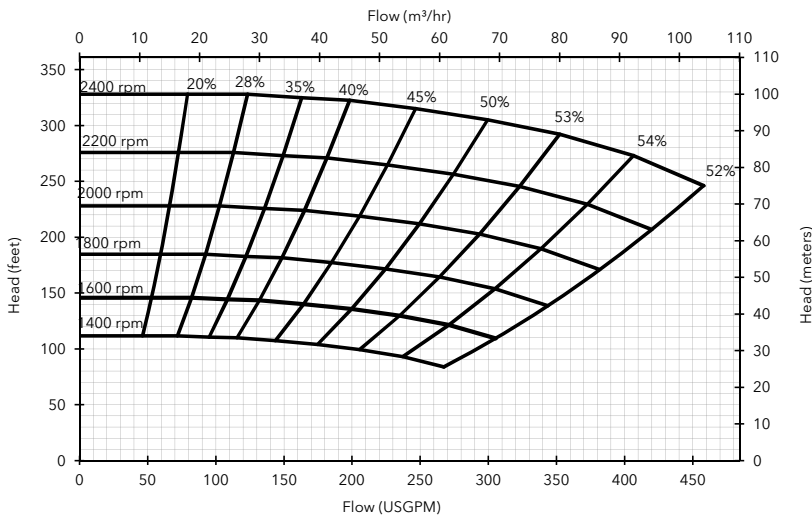
Specifications

Suction connection	4" 150# ANSI B16.5
Delivery connection	3" 150# ANSI B16.5
Max capacity	460 USGPM †
Max solids handling	1.0"
Max Impeller diameter	12.8"
Max operating temp	176°F*
Max working pressure	142 psi
Max suction pressure	87 psi
Max casing pressure	213 psi
Max operating speed	2400 rpm

* Please contact our office for applications in excess of 176°F.

† Larger diameter pipes may be required for maximum flows.

Performance Curve



Engine option 1

John Deere 4045TF290 (IT4 Flex), 74 HP @ 2400 rpm

Impeller diameter 12.8"

Pump speed 2400 rpm

Suction Lift Table

Total Suction Head (feet)	Total Delivery Head (feet)				
	176	227	257	287	297
	Output (USGPM)				
10	491	436	382	300	245
15	480	425	354	229	-
20	436	392	327	245	-
25	316	300	273	164	-

Fuel capacity: 60 US Gal

Max Fuel consumption @ 2400 rpm: 4.5 US Gal/hr

Max Fuel consumption @ 2000 rpm: 4.1 US Gal/hr

Weight (Dry): 2,960 lbs

Weight (Wet): 3,380 lbs

Dimensions: (L) 119" x (W) 66" x (H) 77"

Performance data provided in tables is based on water tests at sea level and 20°C ambient. All information is approximate and for general guidance only. Please contact the factory or office for further details.

Materials

Pump casing & suction cover	Cast iron BS EN 1561 - 1997
Wearplates	Cast iron BS EN 1561 - 1997
Pump Shaft	Carbon steel BS 970 - 1991 817M40T
Impeller	Cast Steel BS3100 A5 Hardness to 200 HB Brinell
Non-return valve body	Cast iron BS EN 1561 - 1997
Mechanical seal	Silicon carbide face; Viton elastomers; Stainless steel body

Engine option 2

Caterpillar C4.4M-T (Export Only), 78 HP @ 2200 rpm

Impeller diameter 12.8"

Pump speed 2200 rpm

Suction Lift Table

Total Suction Head (feet)	Total Delivery Head (feet)				
	147	189	214	239	248
	Output (USGPM)				
10	450	400	350	275	225
15	440	390	325	210	-
20	400	360	300	225	-
25	290	275	250	150	-

Fuel capacity: 60 US Gal

Max Fuel consumption @ 2200 rpm: 4.6 US Gal/hr

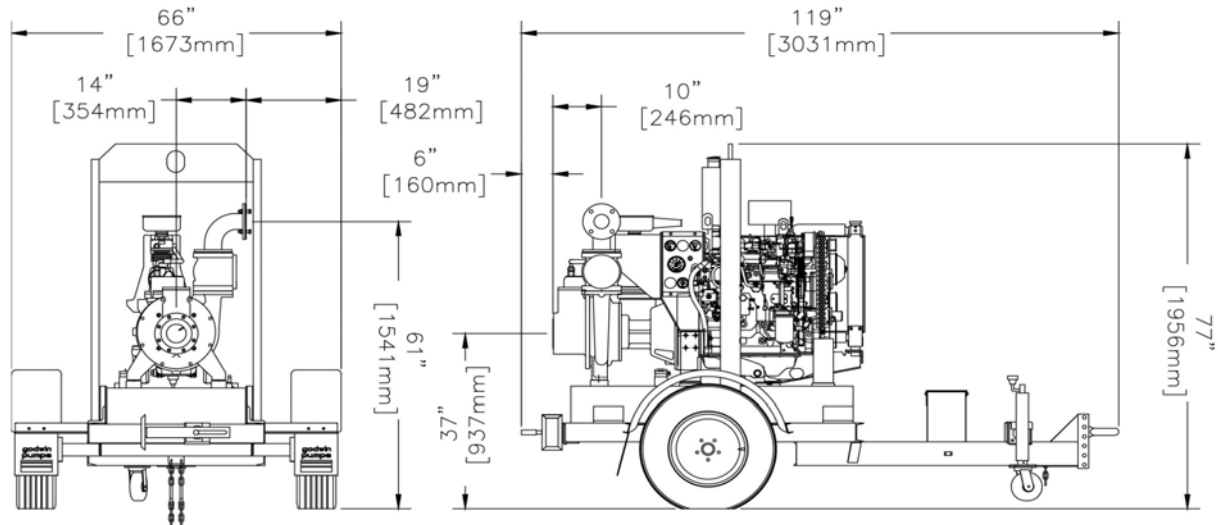
Max Fuel consumption @ 1800 rpm: 4.2 US Gal/hr

Weight (Dry): 2,950 lbs

Weight (Wet): 3,370 lbs

Dimensions: (L) 119" x (W) 66" x (H) 77"

Performance data provided in tables is based on water tests at sea level and 20°C ambient. All information is approximate and for general guidance only. Please contact the factory or office for further details.



84 Floodgate Road
Bridgeport, NJ 08014 USA
(856) 467-3636 . Fax (856) 467-4841
Email: sales@godwinpumps.com

Reference number : 95-1108-3000
Date of issue : February 26, 2014
Issue : 3

www.godwinpumps.com