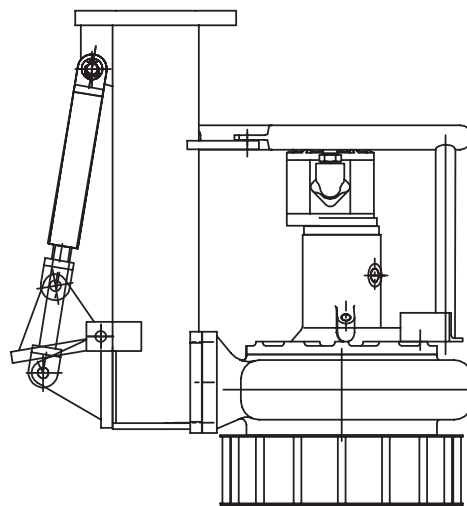
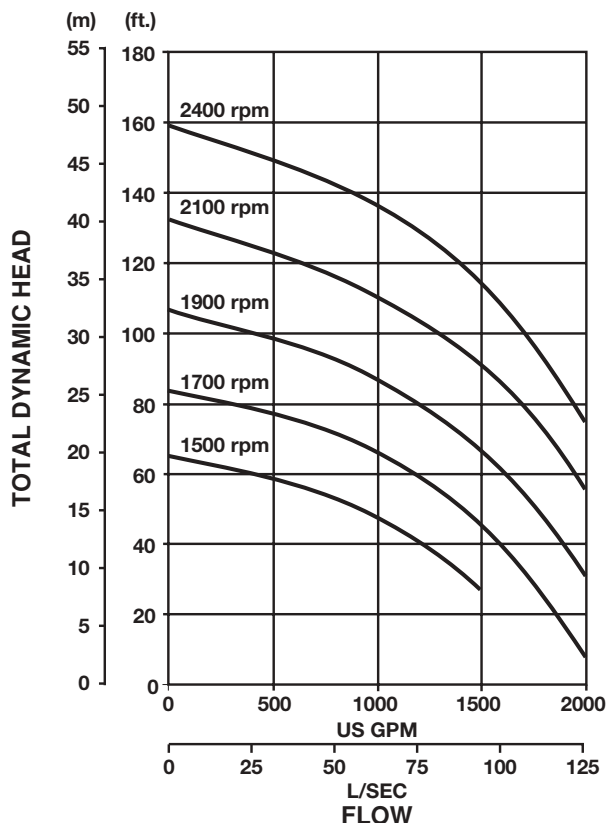


Heidra® HS150SG Slurry Gate Hydraulic Submersible Trash/Sludge Pump



The Heidra HS150SG is a versatile, 6" (150mm) hydraulic submersible pump capable of passing large solids up to 3" (75mm), stringy materials and slurries. A remotely-operated slurry gate allows the pump to act as a mixer, ideal for pumping thick, viscous, solids-laden sludges, such as those found in WWTP digesters, environmental clean-ups and API separators at refineries.

Features

- Semi-open impeller — will pass solids up to 3" (75mm) in diameter.
- Lightweight construction for ease-of-portability.
- Oil bath mechanical seal for dry running capability.
- Variable speed.
- Safe hydraulic drive can be used where electric power is hazardous.
- Available in ductile iron and stainless steel. Aluminum available upon request.
- Operates with a variety of hydraulic power packs.

Specifications

Weight	460 lb. (209.1 kg.)
Height	34" (864mm)
Width	32" x 19" (813mm x 483mm)
Discharge	Flanged 6" (150mm) ASA 150
Inlet	6" (150mm) 125#
Solids Handling	3" (75mm)
Hose Ports	1" (25mm)
Pump Body	Cast Iron
Impeller	Cast Chromium Steel
Wearplate	Cast Iron
Shaft	Medium Carbon Steel
Hydraulic Oil	214-320 s.s.u. @ 100° F (32° C)
Input Flow	15-30 gpm / .95-1.9 l/sec. (Std.)
Operating Pressure	Max. 3500 psi (241 BAR)
Power Source	Any open center hydraulic system

One Floodgate Road, Bridgeport, NJ 08014, USA • (856) 467-3636 • Fax: (856) 467-4841
 Quenington, Cirencester, Glos. GL7 5BX, UK • Tel: +44 (0)1285-750271 • Fax: +44 (0)1285-750352
 E-mail: sales@godwinpumps.com • www.godwinpumps.com

LOCATIONS: Connecticut • Pennsylvania • New York • Ohio • Illinois • Maryland
 Virginia • West Virginia • Georgia • South Carolina • North Carolina
 Florida • Texas • Montana • California • Washington

HOME OFFICES:

godwin
pumps