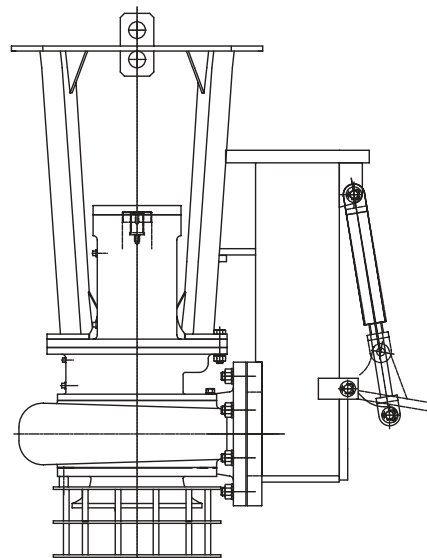
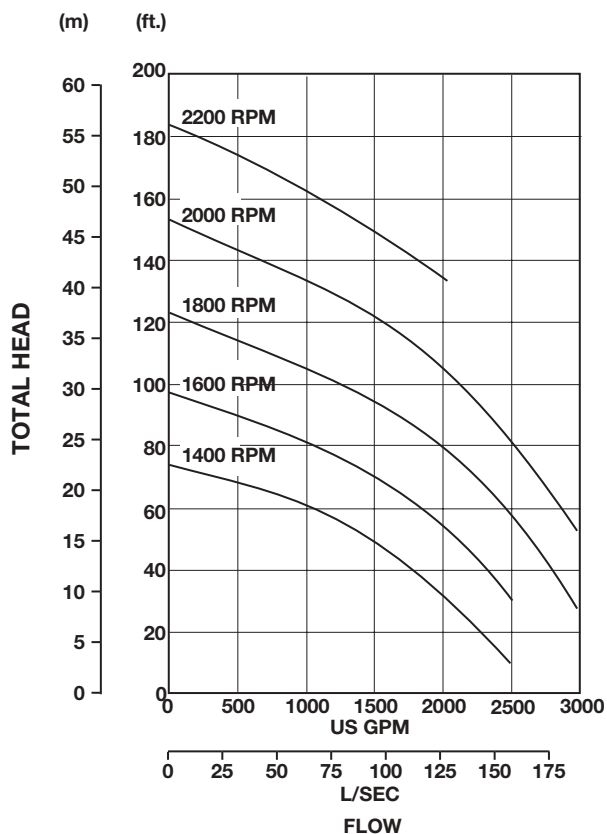


# Heidra® HS200SG Slurry Gate Hydraulic Submersible Trash/Sludge Pump



The Heidra HS200SG is a versatile, 8" (200mm) hydraulic submersible pump capable of passing large solids up to 3-1/8" (79mm), stringy materials and slurries. A remotely-operated slurry gate allows the pump to act as a mixer, ideal for pumping thick, viscous, solids-laden sludges, such as those found in WWTP digesters, environmental clean-ups and API separators at refineries.

## Features

- Semi-open impeller — will pass solids up to 3-1/8" (79mm) in diameter.
- Lightweight construction for ease-of-transportability.
- Oil bath mechanical seal for dry running capability.
- Variable speed.
- Safe hydraulic drive can be used where electric power is hazardous.
- Available in ductile iron and stainless steel. Aluminum available upon request.
- Operates with a variety of hydraulic power packs.

## Specifications

Weight .....	830 lb. (377.3 kg.)
Height .....	51.1" (940mm)
Width .....	42.6" x 28.4" (1082mm x 722mm)
Discharge .....	Flanged 8" (200mm) NPT (F)
Inlet .....	8" (200mm) 125#
Solids Handling .....	3-1/8" (79mm)
Hose Ports .....	1-1/4" (32mm)
Pump Body .....	Cast Iron
Impeller .....	Cast Chromium Steel
Wearplate .....	Cast Iron
Shaft .....	Medium Carbon Steel
Hydraulic Oil .....	214-320 s.s.u. @ 100° F (32° C)
Input Flow .....	Up to 57 gpm / 3.6 l/sec. (Std.)
Operating Pressure .....	Max. 4000 psi (276 BAR)
Power Source .....	Any open center hydraulic system

One Floodgate Road, Bridgeport, NJ 08014, USA • (856) 467-3636 • Fax: (856) 467-4841  
 Quenington, Cirencester, Glos. GL7 5BX, UK • Tel: +44 (0)1285-750271 • Fax: +44 (0)1285-750352  
 E-mail: sales@godwinpumps.com • www.godwinpumps.com

**LOCATIONS:** Connecticut • Pennsylvania • New York • Ohio • Illinois • Maryland  
 Virginia • West Virginia • Georgia • South Carolina • North Carolina  
 Florida • Texas • Montana • California • Washington

**HOME OFFICES:**

**godwin  
pumps**